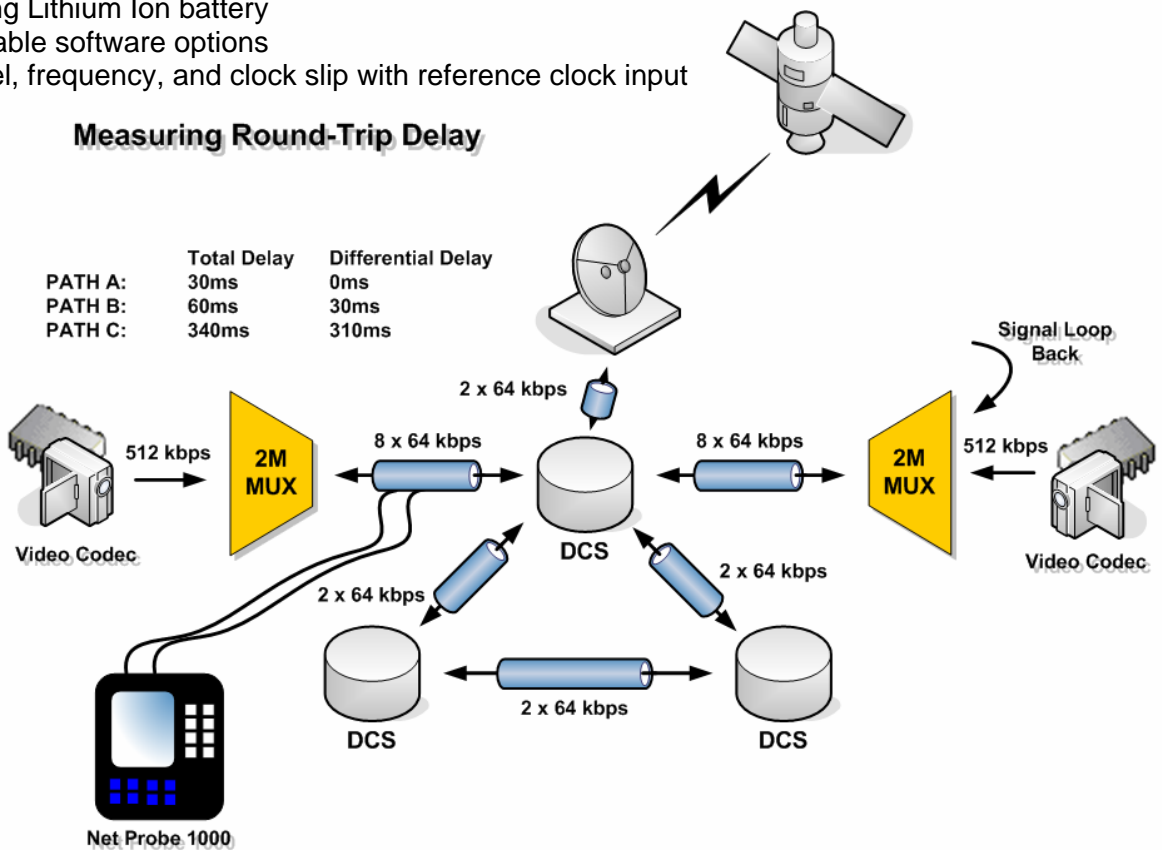
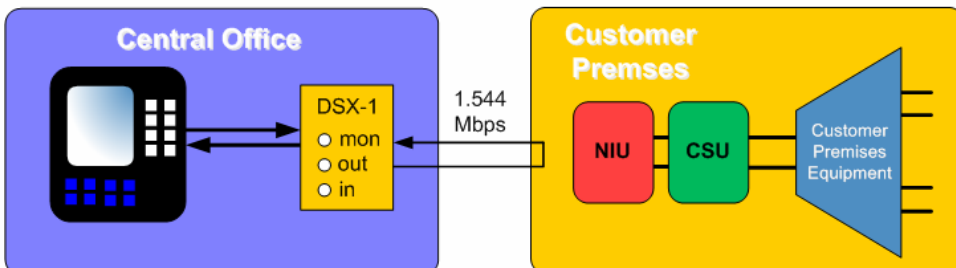


- ❖ Most economical solution for combined T1 and E1 testing!
- ❖ Single transmitter and receiver
- ❖ BERT and/or channel access testing
- ❖ VF input/ output, generation and measure
- ❖ Yellow and AIS alarm simulation
- ❖ CSU and other loopback control and emulation
- ❖ Display all channel signaling bits
- ❖ DSP signal to noise measurement
- ❖ Portable, lightweight and handheld
- ❖ High brightness and contrast LCD screen
- ❖ Long lasting Lithium Ion battery
- ❖ Downloadable software options
- ❖ Signal level, frequency, and clock slip with reference clock input

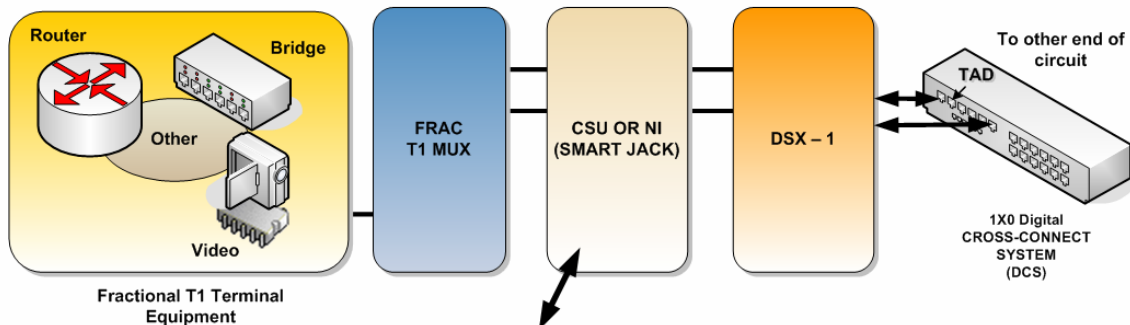
Measuring Round-Trip Delay



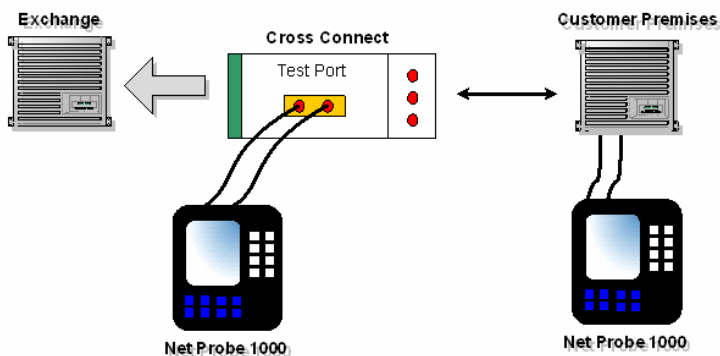
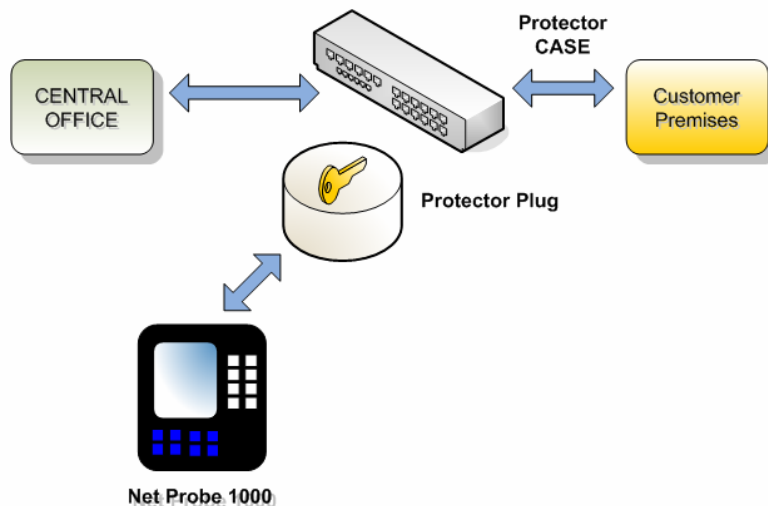
DS1 Service Acceptance



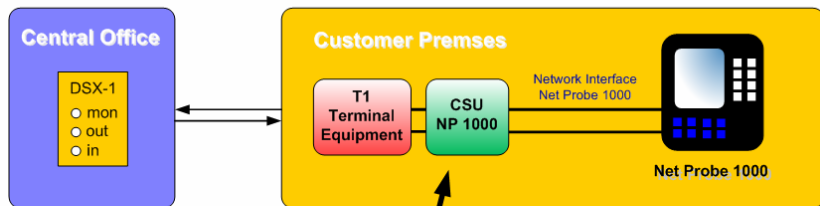
Fractional T1/E1



T1 Span troubleshooting



CSU Emulation



Connect the Net Probe 1000 in place of the CSU or Network Interface (NI) to verify if this a source of problem.

